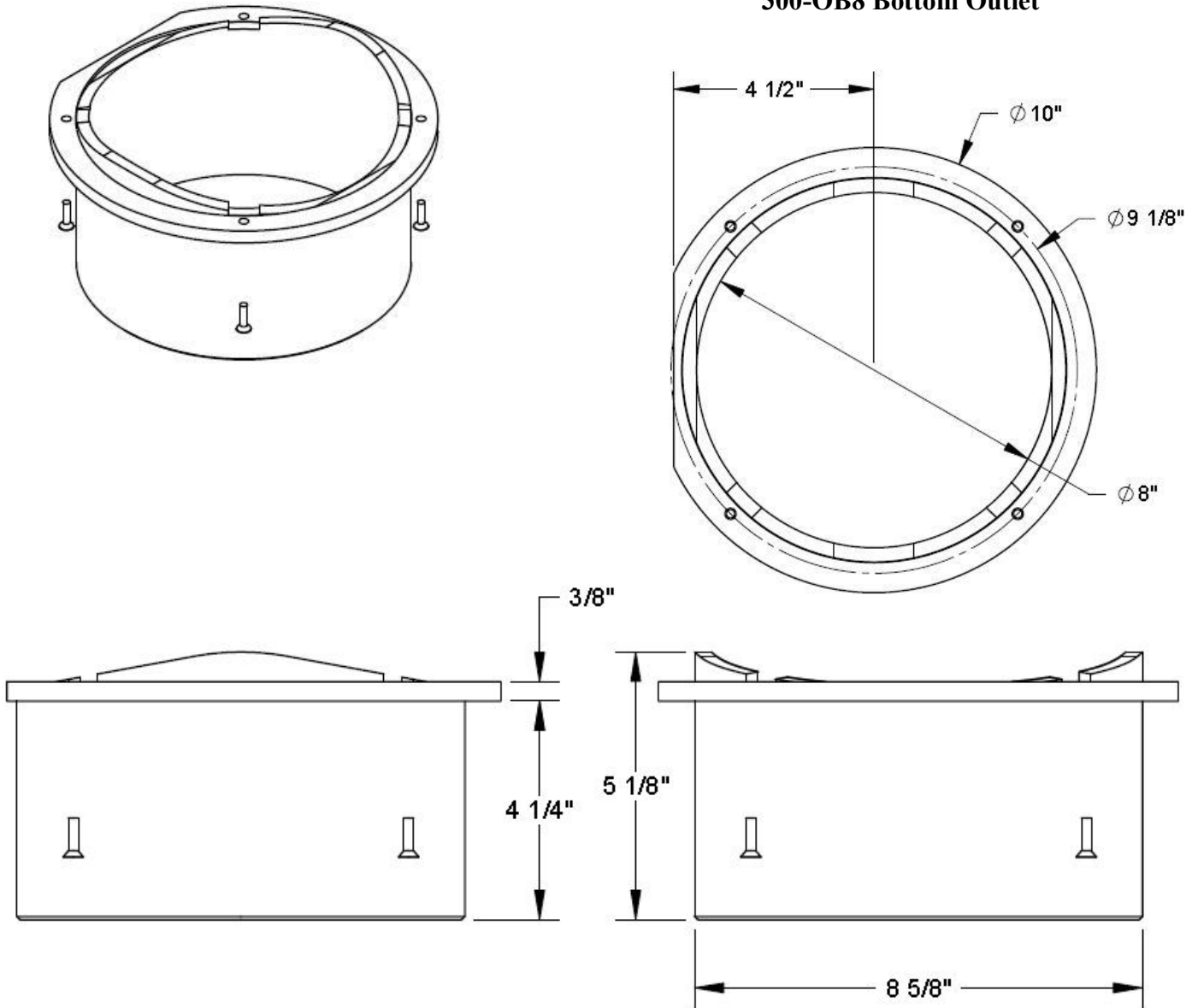


<p>Number</p> <p style="text-align: center;">300-OB8</p>	<p>Series</p> <p style="text-align: center;">CPS300 Bottom Outlet Pro Plus 300</p>
--	--

300-OB8 Bottom Outlet



Manufacturer



Quality engineered trench drain system

Specification

MEA 300-OB8 BOTTOM OUTLET FOR 300C 12" INTERNAL WIDTH TRENCH CHANNELS. MADE WITH PVC MATERIAL DESIGNED TO FIT BOTTOM OF 300C CHANNEL WITH 4 SCREWS (SUPPLIED) AND CONNECT WITH STANDARD 8" PVC FITTINGS, SUPPLIED BY TRENCH DRAIN SUPPLY.

DISCLAIMER - The customer and the customer's architects, engineers, consultants, and other professionals are completely responsible for the selection installation and maintenance of any product purchased from Trench Drain Supply and/or its manufacturers. TRENCH DRAIN SUPPLY MAKES NO WARRANTY, EXPRESS OR IMPLIED, AS TO THE SUITABILITY, DESIGN, MERCHANTABILITY, OR FITNESS OF THE PRODUCT FOR CUSTOMERS APPLICATION. The drawing and information provided remain the property and copyright of the manufacturer listed. The manufacturer reserves the right to modify specification without notice.